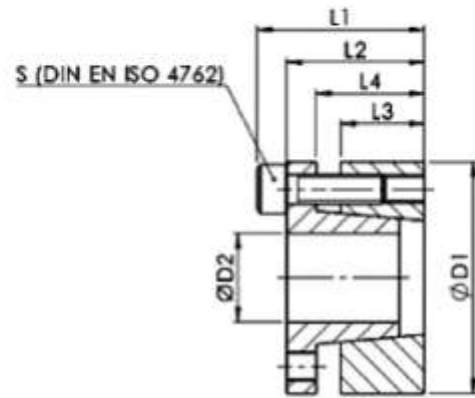


Metal Part Locking assemblies
catalog



Locking assembly WSR 210



Ordering example: **WSR210** - **35x60**
Type D2 x D1

Ø Inner / Ø Outer D2x D1	Torque T _{ax} (Nm)	Dimensions (mm)				Surface pressure		Clamp Screw		
		L1	L2	L3	L4	Shaft P _w (N/mm ²)	Hub P _w (N/mm ²)	S Quantity	S Screw DIN EN ISO 4762	TA (Nm)
19x47	340	34	28	17	22	290	120	5	M6	14
20x47	380	34	28	17	22	285	125	5	M6	14
22x47	400	34	28	17	22	270	125	5	M6	14
24x50	440	34	28	17	22	240	125	6	M6	14
25x50	580	34	28	17	22	285	130	6	M6	14
28x55	620	34	28	17	22	255	130	6	M6	14
30x55	660	34	28	17	22	235	130	6	M6	14
32x60	960	34	28	17	22	295	155	8	M6	14
35x60	1040	34	28	17	22	270	155	8	M6	14
38x65	1140	34	28	17	22	250	145	8	M6	14
40x65	1210	34	28	17	22	235	150	8	M6	14
45x75	2180	41	33	20	25	290	170	7	M8	35
50x80	2430	41	33	20	25	255	160	7	M8	35
55x85	3060	41	33	20	25	270	175	8	M8	35
60x90	3350	41	33	20	25	245	165	8	M8	35
65x95	4080	41	33	20	25	255	170	9	M8	35
70x110	6280	50	40	24	30	275	180	8	M10	70
75x115	6680	50	40	24	30	260	170	8	M10	70
80x120	7130	50	40	24	30	250	165	8	M10	70
85x125	8480	50	40	24	30	260	180	9	M10	70
90x130	9080	50	40	24	30	250	170	9	M10	70
95x135	10580	50	40	24	30	260	180	10	M10	70
100x145	13380	56	44	26	32	270	190	8	M12	125
110x155	14580	56	44	26	32	245	180	8	M12	125
120x165	17880	56	44	26	32	250	180	9	M12	125
130x180	29980	64	52	34	40	240	170	12	M12	125
140x190	26980	68	54	34	40	210	150	9	M14	190
150x200	32880	68	54	34	40	230	170	10	M14	190
160x210	37900	68	54	34	40	230	170	11	M14	190

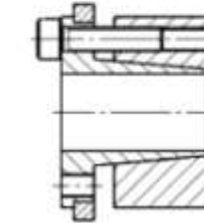
Tolerances: shaft h8 / hub H8

• Special sizes available on request

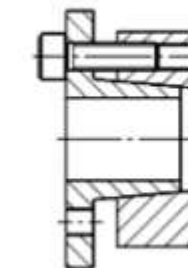
Locking assemblies



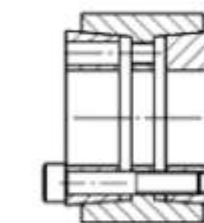
WSR 210
self-centering,
economical connection



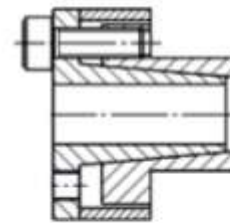
WSR 232
for high torque
self-centering, no
axial movement



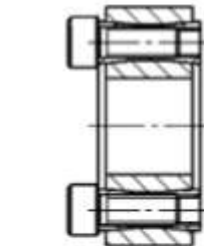
WSR 212
no axial movement,
self-centering



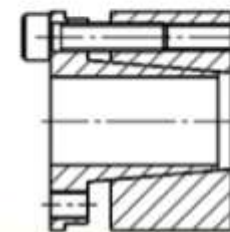
WSR 240
for highest loads and
high torques,
self-centering



WSR 220
small cross section,
self-centering



WSR 250
self-centering,
flexible use

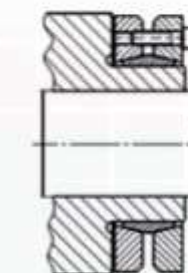


WSR 230
for high torque,
self-centering

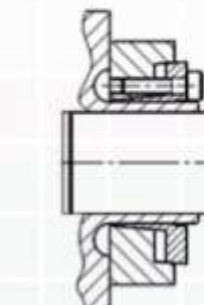


WSR 260
for small diameters,
self-centering,
limited space requirements

Shrink Disk



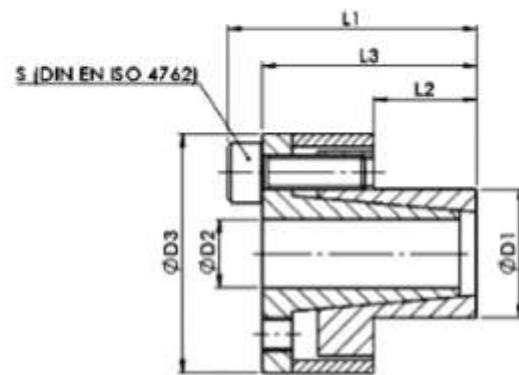
WSR 270
for hollow shaft connections
for high torque



WSR 280
for hollow shaft connections
with high torque,
easy installation

WSR 220

Locking assembly WSR 220



Ordering example: **WSR220** - **38x50**
Type D2 x D1

Ø Inner / Ø Outer D2xD1	Torque T _{KN} (Nm)	Dimensions (mm)			Flange	Surface Pressure		Clamp Screw		
		L1	L2	L3	outer dia	Shaft	Hub	S	S Screw	TA
					D2	P _w (N/mm ²)	P _n (N/mm ²)	Quantity	DIN EN ISO 4762	(Nm)
8x15	29	30	12	26	27	200	110	3	M4	5
9x16	31	31	14	27	28	150	85	3	M4	5
10x16	36	31	14	27	28	145	85	3	M4	5
11x18	52	31	14	27	32	170	100	4	M4	5
12x18	57	31	14	27	32	150	100	4	M4	5
14x23	69	31	14	27	38	140	80	4	M4	5
15x24	160	42	16	36	44	155	95	4	M6	17
16x24	181	42	16	36	44	145	95	4	M6	17
18x26	195	44	18	38	47	180	125	4	M6	17
19x27	205	44	18	38	48	170	120	4	M6	17
20x28	215	44	18	38	49	155	115	4	M6	17
22x32	240	51	25	45	53	115	80	4	M6	17
24x34	398	51	25	45	55	146	100	6	M6	17
25x35	406	51	25	45	55	140	100	6	M6	17
28x39	460	51	25,5	45	60	135	98	6	M6	17
30x41	505	51	25,5	45	62	125	90	6	M6	17
32x43	700	56	25,5	50	64	146	108	8	M6	17
35x47	780	56	30	50	68	105	80	8	M6	17
38x50	860	56	30	50	71	100	76	8	M6	17
40x53	905	58	32	52	74	95	72	8	M6	17
42x55	940	58	32	52	77	90	70	8	M6	17
45x59	1850	72	40	64	85	110	85	8	M8	41
48x62	2000	72	40	64	87	105	80	8	M8	41
50x65	2080	82	50	74	91	100	75	8	M8	41
55x71	2500	82	50	74	98	86	66	9	M8	41
60x77	2800	82	50	74	103	75	60	9	M8	41
65x84	3060	82	50	74	110	70	55	9	M8	41
70x90	5200	101	60	91	119	88	70	9	M10	83
75x95	5600	101	60	91	126	80	65	9	M10	83
80x100	8000	106	65	96	131	100	80	12	M10	83
85x106	8400	106	65	96	137	85	74	12	M10	83
90x112	9000	106	65	96	143	80	75	12	M10	83
95x120	10800	106	65	96	153	100	80	14	M10	83
100x125	15000	114	65	102	162	115	94	18	M10	83
110x140	16000	119	70	107	177	80	65	12	M12	154
120x155	17000	139	90	127	195	70	56	12	M12	154

Tolerances: shaft h8 / hub H8

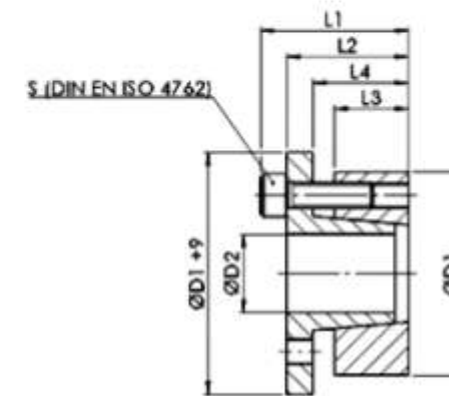
- Special sizes available on request
- also available in Stainless steel



Tehran Ahmad Abad Mostofi, Golgun Industrial Town, 6th Street, No. 4
info.metalpart@gmail.com
www.metalpart.ir

WSR 212

Locking assembly WSR 212



Ordering example: **WSR212** - **35x60**
Type D2 x D1

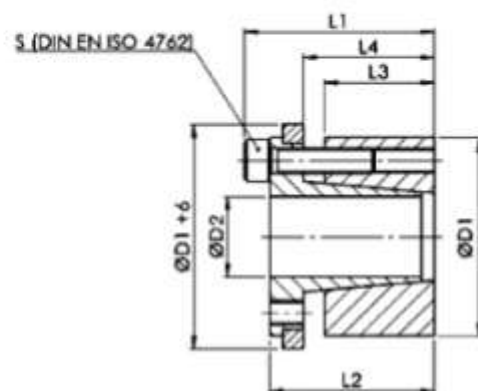
Ø Inner / Ø Outer D2xD1	Torque T _{KN} (Nm)	Dimensions (mm)				Surface pressure		Clamp Screw		
		L1	L2	L3	L4	Shaft	Hub	S	S Screw	TA
						P _w (N/mm ²)	P _n (N/mm ²)	Quantity	DIN EN ISO 4762	(Nm)
19x47	270	34	28	17	23	225	90	5	M6	17
20x47	280	34	28	17	23	210	95	5	M6	17
22x47	300	34	28	17	23	210	95	5	M6	17
24x50	400	34	28	17	23	215	105	6	M6	17
25x50	430	34	28	17	23	210	105	6	M6	17
28x55	480	34	28	17	23	195	95	6	M6	17
30x55	520	34	28	17	23	185	95	6	M6	17
32x60	740	34	28	17	23	215	110	8	M6	17
35x60	800	34	28	17	23	200	110	8	M6	17
38x65	860	34	28	17	23	190	105	8	M6	17
40x65	910	34	28	17	23	185	105	8	M6	17
45x75	1680	41	33	20	27	220	120	7	M8	41
50x80	1850	41	33	20	27	205	125	7	M8	41
55x85	2350	41	33	20	27	205	130	8	M8	41
60x90	2600	41	33	20	27	185	125	8	M8	41
65x95	3080	41	33	20	27	195	130	9	M8	41
70x110	4700	50	40	24	32	215	135	8	M8	41
75x115	5100	50	40	24	32	195	125	8	M8	41
80x120	5400	50	40	24	32	185	125	8	M8	41
85x125	6350	50	40	24	32	195	130	9	M10	83
90x130	6760	50	40	24	32	185	135	9	M10	83
95x135	7960	50	40	24	32	200	135	10	M10	83
100x145	9760	56	44	26	34	205	145	8	M10	83
110x155	10660	56	44	26	34	180	130	8	M10	83
120x165	13100	56	44	26	34	195	135	9	M10	83
130x180	18900	64	52	34	42	175	125	12	M12	145
140x190	20800	68	54	34	42	165	125	9	M12	145
150x200	25200	68	54	34	42	180	130	10	M12	145
160x210	29100	68	54	34	42	185	140	11	M12	145

Tolerances: shaft h8 / hub H8

- Special sizes available on request

آدرس: تهران احمد اباد مستوفی شهرک صنعتی گلگون خیابان ششم پلاک ۴
تلفن تماس: ۰۲۱۴۴۰۳۶۷۲۸-۰۹۱۲۲۶۲۳۶۶
ایمیل: info.metalpart@gmail.com
www.metalpart.ir

Locking assembly WSR 232

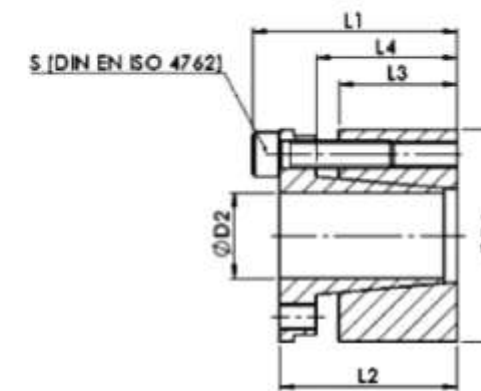


Ordering example: **WSR232** - **42x75**
Type D2 x D1

Ø Inner / Ø Outer D2xD1	Torque T _{KN} (Nm)	Dimensions (mm)				Surface pressure		Clamp Screw		
		L1	L2	L3	L4	Shaft	Hub	S	S Screw	TA
						P _w (N/mm ²)	P _N (N/mm ²)	Quantity	DIN EN ISO 4762	(Nm)
19x47	310	45	39	26	31	175	72	6	M6	17
20x47	330	45	39	26	31	170	72	6	M6	17
22x47	360	45	39	26	31	155	72	6	M6	17
24x50	400	45	39	26	31	142	68	6	M6	17
25x50	410	45	39	26	31	136	68	6	M6	17
28x55	460	45	39	26	31	121	62	6	M6	17
30x55	500	45	39	26	31	113	62	6	M6	17
32x60	710	45	39	26	31	142	76	8	M6	17
35x65	770	45	39	26	31	130	76	8	M6	17
38x65	845	45	39	26	31	119	70	8	M6	17
40x65	885	45	39	26	31	113	70	8	M6	17
42x75	1270	55	47	30	36	128	71	6	M8	41
45x75	1360	55	47	30	36	119	71	6	M8	41
48x80	1940	55	47	30	36	149	89	6	M8	41
50x80	2000	55	47	30	36	143	89	8	M8	41
55x85	2220	55	47	30	36	130	84	8	M8	41
60x90	2420	55	47	40	36	119	79	8	M8	41
65x95	2620	55	47	40	36	110	75	8	M8	41
70x110	4570	72	62	40	46	124	75	8	M10	83
75x115	4900	72	62	40	46	116	75	8	M10	83
80x120	5220	72	62	40	46	108	72	8	M10	83
85x125	6940	72	62	40	46	127	87	10	M10	83
90x130	7350	72	62	40	46	120	83	10	M10	83
95x135	7760	72	62	40	46	114	80	10	M10	83
100x145	9770	89	77	46	52	113	78	8	M12	145
110x155	10750	89	77	46	52	102	73	8	M12	145
120x165	14660	89	77	46	52	117	85	10	M12	145
130x180	19000	89	77	46	52	130	94	12	M14	230
140x190	23600	98	84	51	59	125	92	10	M14	230
150x200	30300	98	84	51	59	140	105	12	M14	230
160x210	32300	98	84	51	59	132	100	12	M14	230
170x225	40000	98	84	51	59	144	109	14	M14	230
180x235	42450	98	84	51	59	136	104	14	M14	230

Tolerances: shaft h8 / hub H8
• Special sizes available on request

Locking assembly WSR 230



Ordering example: **WSR230** - **42x75**
Type D2 x D1

Ø Inner / Ø Outer D2xD1	Torque T _{KN} (Nm)	Dimensions (mm)				Surface pressure		Clamp Screw		
		L1	L2	L3	L4	Shaft	Hub	S	S Screw	TA
						P _w (N/mm ²)	P _N (N/mm ²)	Quantity	DIN EN ISO 4762	(Nm)
19x47	305	45	39	26	31	240	125	4	M6	17
20x47	320	45	39	26	31	260	130	4	M6	17
22x47	355	45	39	26	31	220	95	4	M6	17
24x50	580	45	39	26	31	215	102	6	M6	17
25x50	605	45	39	26	31	230	105	6	M6	17
28x55	675	45	39	26	31	220	110	6	M6	17
30x55	725	45	39	26	31	200	120	6	M6	17
32x60	1030	45	39	26	31	230	112	8	M6	17
35x65	1130	45	39	26	31	200	119	8	M6	17
38x65	1220	45	39	26	31	210	124	8	M6	17
40x65	1300	45	39	26	31	200	125	8	M6	17
42x75	1835	55	47	30	36	236	140	6	M8	41
45x75	1965	55	47	30	36	236	140	6	M8	41
48x80	2095	55	47	30	36	215	135	6	M8	41
50x80	2180	55	47	30	36	215	135	6	M8	41
55x85	3200	55	47	30	36	220	142	8	M8	41
60x90	3490	55	47	30	36	195	157	8	M8	41
65x95	3780	55	47	30	36	213	140	8	M8	41
70x110	6605	67	62	40	46	225	142	8	M10	83
75x115	7075	72	62	40	46	210	138	8	M10	83
80x120	7550	72	62	40	46	200	130	8	M10	83
85x125	10020	72	62	40	46	210	142	10	M10	83
90x130	10600	72	62	40	46	200	138	10	M10	83
95x135	11200	72	62	40	46	210	148	10	M10	83
100x145	13730	89	77	46	52	215	148	8	M12	145
110x155	15110	89	77	46	52	196	138	8	M12	145
120x165	20600	89	77	46	52	216	156	10	M12	145
130x180	26700	89	77	46	52	196	140	12	M14	230
140x190	26100	98	84	51	59	200	148	8	M14	230
150x200	35000	98	84	51	59	210	158	10	M14	230
160x210	37350	98	84	51	59	210	158	10	M14	230
170x225	47610	98	84	51	59	168	125	12	M14	230
180x235	50410	98	84	51	59	170	125	12	M14	230

Tolerances: shaft h8 / hub H8
• Special sizes available on request

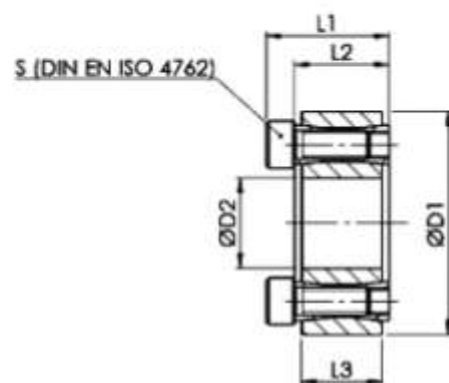


Tehran Ahmad Abad Mostofi, Golgun Industrial Town, 6th Street, No. 4
info.metalpart@gmail.com
www.metalpart.ir

آدرس: تهران احمد اباد مستوفی شهرک صنعتی گلگون خیابان ششم پلاک ۴
تلفن تماس: ۰۲۱۴۴۰۳۶۷۲۸-۰۹۱۲۲۲۶۲۳۶۶
ایمیل: info.metalpart@gmail.com
www.metalpart.ir

WSR 250

Locking assembly WSR 250



Ordering example: **WSR250** - **42x75**
Type D2 x D1

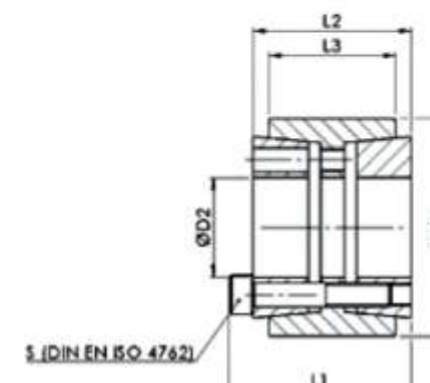
Ø Inner / Ø Outer D2xD1	Torque T _{KH} (Nm)	Dimensions (mm)			Surface pressure		Clamp Screw		
		L1	L2	L3	Shaft	Hub	S	S Screw	TA
					P _w (N/mm ²)	P _H (N/mm ²)	Quantity	DIN EN ISO 4762	(Nm)
19x47	255	27	20	17	220	90	8	M6	14
20x47	270	27	20	17	210	90	8	M6	14
22x47	290	27	20	17	200	95	8	M6	14
24x50	360	27	20	17	200	95	9	M6	14
25x50	380	27	20	17	200	95	9	M6	14
28x55	450	27	20	17	190	96	10	M6	14
30x55	500	27	20	17	180	96	10	M6	14
32x60	630	27	20	17	192	105	12	M6	14
35x60	700	27	20	17	180	105	12	M6	14
38x65	880	27	20	17	185	108	14	M6	14
40x65	920	27	20	17	180	110	14	M6	14
42x75	1520	33	24	20	226	125	12	M8	35
45x75	1620	33	24	20	210	125	12	M8	35
48x80	1750	33	24	20	198	116	12	M8	35
50x80	1780	33	24	20	190	115	12	M8	35
55x85	2280	33	24	20	200	130	14	M8	35
60x90	2490	33	24	20	180	120	14	M8	35
65x95	3080	33	24	20	190	130	16	M8	35
70x110	4680	39	28	24	210	130	14	M10	70
75x115	4900	39	28	24	196	125	14	M10	70
80x120	5260	39	28	24	180	120	14	M10	70
85x125	6350	39	28	24	195	130	16	M10	70
90x130	6700	39	28	24	180	125	16	M10	70
95x135	8600	39	28	24	196	135	14	M12	125
100x145	10000	46	33	26	200	135	14	M12	125
110x155	10600	46	33	26	180	125	14	M12	125
120x165	13200	46	33	26	185	135	16	M12	125
130x180	17600	51	38	34	165	115	20	M12	125
140x190	20900	51	38	34	165	125	22	M12	125
150x200	24500	51	38	34	170	125	24	M12	125
160x210	28500	51	38	34	170	130	26	M12	125
170x225	32800	59	44	38	160	120	22	M14	190
180x235	37800	59	44	38	165	125	24	M14	190
190x250	46600	67	52	46	150	115	28	M14	190
200x260	52600	67	52	46	150	115	30	M14	190
220x285	67000	74	56	50	150	115	26	M16	295

Tolerances: shaft h8 / hub H8

- Special sizes available on request
- also available in Stainless steel

WSR 240

Locking assembly WSR 240



Ordering example: **WSR240** - **50x80**
Type D2 x D1

Ø Inner / Ø Outer D2xD1	Torque T _{KH} (Nm)	Dimensions (mm)			Surface pressure		Clamp Screw		
		L1	L2	L3	Shaft	Hub	S	S Screw	TA
					P _w (N/mm ²)	P _H (N/mm ²)	Quantity	DIN EN ISO 4762	(Nm)
28x55	875	46	40	32	252	96	6	M6	17
30x55	950	46	40	32	235	96	6	M6	17
35x60	1300	60	54	44	166	75	7	M6	17
38x65	1600	60	54	45	164	96	8	M6	17
40x65	1680	60	54	45	156	96	8	M6	17
42x75	2800	62	54	44	251	109	7	M8	41
45x75	3050	62	54	44	235	109	7	M8	41
48x80	3700	72	64	56	194	92	8	M8	41
50x80	3950	74	66	56	186	92	8	M8	41
55x85	4900	74	66	56	191	97	9	M8	41
60x90	5900	74	66	56	194	102	10	M8	41
65x90	6400	74	66	56	179	96	10	M8	41
70x110	10950	90	80	70	212	108	10	M10	83
75x115	11700	90	80	70	197	103	10	M10	83
80x120	13750	90	80	70	204	109	11	M10	83
85x125	16000	90	80	70	209	114	12	M10	83
90x130	16900	90	80	70	197	105	12	M10	83
95x135	17800	90	80	70	187	105	12	M10	83
100x145	25700	114	102	90	195	105	11	M12	145
110x155	30850	114	102	90	193	107	12	M12	145
120x165	39200	114	102	90	207	117	14	M12	145
130x180	50300	130	116	104	188	110	12	M14	230
140x190	63200	130	116	104	204	121	14	M14	230
150x200	72500	130	116	104	204	123	15	M14	230
160x210	82500	130	116	104	204	125	16	M14	230
170x225	103800	165	149	134	173	105	14	M16	355
180x235	117800	165	149	134	175	110	15	M16	355
190x250	133900	165	149	134	177	110	16	M16	355
200x260	147000	165	149	134	168	106	16	M16	355
220x285	181000	165	149	134	172	109	18	M16	355
240x305	218100	162	146	134	184	119	20	M16	355

Tolerances: shaft h8 / hub H8

- Special sizes available on request



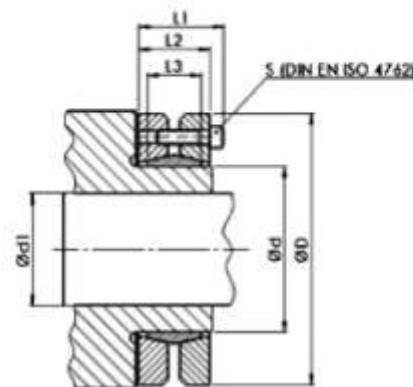
Tehran Ahmad Abad Mostofi, Golgun Industrial Town, 6th Street, No. 4
 info.metalpart@gmail.com
 www.metalpart.ir

آدرس: تهران احمد اباد مستوفی شهرک صنعتی گلگون خیابان ششم پلاک ۴
 تلفن تماس: ۰۲۱۴۴۰۳۶۷۲۸ - ۰۹۱۲۲۲۶۲۳۶۶
 ایمیل: info.metalpart@gmail.com
 www.metalpart.ir

WSR 270

Shrink disc WSR 270

d ₁		tolerance	max clearance
from / to			mm
10	18	H6 / j6	0,014
18	30	H6 / j6	0,017
30	50	H6 / h6	0,032
50	80	H6 / g6	0,048
80	120	H6 / g6	0,069
120	180	H7 / g6	0,079

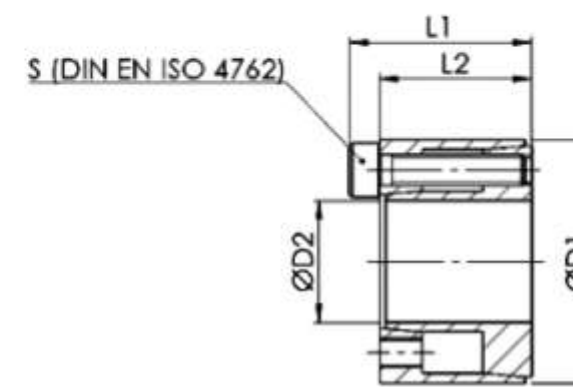


Ordering example: **WSR270** - **140x230**
Type d x D

Hollow Shaft	Shaft	Outer	Torque	Dimensions (mm)			Surface Pressure	Clamp Screw		
				L1	L2	L3		S	S Screw	TA
Ød (mm)	Ød1 (mm)	ØD (mm)	T _{KN} (Nm)				P _w (N/mm ²)	Quantity	DIN EN ISO 4762	(Nm)
30	24	60	380	26,5	23	17,5	285	7	M5	5
30	25	60	420	26,5	23	17,5	285	7	M5	5
30	26	60	460	26,5	23	17,5	285	7	M5	5
36	28	72	440	29	25	18,5	300	5	M6	12
36	30	72	560	29	25	18,5	300	5	M6	12
36	31	72	625	29	25	18,5	300	5	M6	12
38	29	72	670	31	27	20,5	310	6	M6	12
38	30	72	735	31	27	20,5	310	6	M6	12
38	31	72	740	31	27	20,5	310	6	M6	12
40	30	75	615	31	27	20,5	285	6	M6	12
40	31	75	630	31	27	20,5	285	6	M6	12
40	32	75	690	31	27	20,5	285	6	M6	12
44	32	80	740	32	28	22	270	7	M6	12
44	35	80	940	32	28	22	270	7	M6	12
44	36	80	1010	32	28	22	270	7	M6	12
48	36	80	730	34	30	22	245	7	M6	12
48	38	80	930	34	30	22	245	7	M6	12
48	40	80	1100	34	30	22	245	7	M6	12
50	38	90	1260	34	30	22	318	9	M6	12
50	40	90	1440	34	30	22	318	9	M6	12
50	42	90	1620	34	30	22	318	9	M6	12
55	42	100	1170	35	31	22,5	245	8	M6	12
55	45	100	1500	35	31	22,5	245	8	M6	12
55	48	100	1870	35	31	22,5	245	8	M6	12
62	48	110	2220	36	32	22,5	325	12	M6	12
62	50	110	2600	36	32	22,5	325	12	M6	12
62	52	110	2890	36	32	22,5	325	12	M6	12
68	50	115	2000	37	33	22,5	260	10	M6	12
68	55	115	2500	37	33	22,5	260	10	M6	12
68	60	115	3140	37	33	22,5	260	10	M6	12
75	55	138	2500	39	33	25	270	7	M8	30
75	60	138	3200	39	33	25	270	7	M8	30
75	65	138	3940	39	33	25	270	7	M8	30

WSR 260

Locking assembly WSR 260



Ordering example: **WSR260** - **19x35**
Type D2 x D1

Ø Inner / Ø Outer D2xD1	Torque	Dimensions (mm)		Surface Pressure		Clamp Screw		
		L1	L2	Shaft	Hub	S	S Screw	TA
	T _{KN} (Nm)			P _w (N/mm ²)	P _N (N/mm ²)	Quantity	DIN EN ISO 4762	(Nm)
10x20	15	15,5	13	110	55	4	M2,5	1,2
12x22	20	15,5	13	90	50	4	M2,5	1,2
14x26	35	20	17	105	55	4	M3	2,1
15x28	40	20	17	100	50	4	M3	2,1
16x32	70	21	17	130	65	4	M4	4,9
18x35	80	25	21	115	60	4	M4	4,9
19x35	85	25	21	110	60	4	M4	4,9
20x38	160	26	21	160	85	4	M5	9,7
22x40	170	26	21	150	80	4	M5	9,7
24x47	270	32	26	160	85	4	M6	7
25x47	310	32	26	155	85	4	M6	7
28x50	380	32	26	190	105	6	M6	7
30x55	410	32	26	180	100	6	M6	7
32x55	440	32	26	170	100	6	M6	7
35x60	680	37	29	170	100	6	M6	7
38x65	750	37	29	160	95	6	M6	7
40x65	790	37	29	150	95	6	M6	7

Tolerances: shaft h8 / hub H8

- Special sizes available on request
- also available in Stainless steel

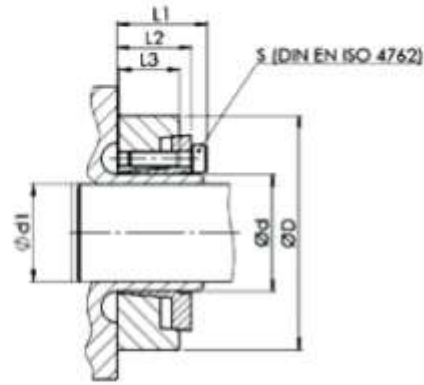


Tehran Ahmad Abad Mostofi, Golgun Industrial Town, 6th Street, No. 4
info.metalpart@gmail.com
www.metalpart.ir

آدرس: تهران احمد اباد مستوفی شهرک صنعتی گلگون خیابان ششم پلاک ۴
تلفن تماس: ۰۲۱۴۴۰۳۶۷۲۸ - ۰۹۱۲۲۲۶۲۳۶۶
ایمیل: info.metalpart@gmail.com
www.metalpart.ir

WSR 280

Shrink disc WSR 280



d ₁		tolerance	max clearance
from / to			mm
18	30	H6 / J6	0,017
30	50	H6 / h6	0,032
50	80	H6 / g6	0,048

Ordering example: **WSR280** - **50x91**
Type d x D

Hollow Shaft	Shaft	Outer	Torque	Dimensions (mm)			S Screw	TA
				L1	L2	L3		
Ød (mm)	Ød1 (mm)	ØD (mm)	T _{KH} (Nm)				DIN EN ISO 4762	(Nm)
30	24	61	260	23,5	19,5	15,5	M6	12
30	25	61	310	23,5	19,5	15,5	M6	12
30	26	61	350	23,5	19,5	15,5	M6	12
36	28	72	440	28	22	18	M8	30
36	30	72	600	28	22	18	M8	30
36	31	72	820	28	22	18	M8	30
44	34	80	690	30	24	20	M8	30
44	35	80	760	30	24	20	M8	30
44	36	80	920	30	24	20	M8	30
50	38	91	1480	31,5	25,5	21,5	M8	35
50	40	91	1650	31,5	25,5	21,5	M8	35
50	42	91	1850	31,5	25,5	21,5	M8	35
55	42	100	1550	34,5	28,5	22,5	M8	35
55	45	100	1950	34,5	28,5	22,5	M8	35
55	48	100	2350	34,5	28,5	22,5	M8	35
62	48	110	2150	34,5	28,5	22,5	M8	35
62	50	110	2350	34,5	28,5	22,5	M8	35
62	52	110	2650	34,5	28,5	22,5	M8	35
68	50	116	2350	34,5	28,5	22,5	M8	35
68	55	116	2900	34,5	28,5	22,5	M8	35
68	60	116	3650	34,5	28,5	22,5	M8	35
75	55	138	3700	38	31	25	M10	70
75	60	138	4700	38	31	25	M10	70
75	65	138	5800	38	31	25	M10	70
80	60	145	4200	38	31	25	M10	70
80	65	145	5200	38	31	25	M10	70
80	70	145	6300	38	31	25	M10	70
90	65	155	5800	44,5	37,5	29,5	M10	70
90	70	155	7000	44,5	37,5	29,5	M10	70
90	75	155	8400	44,5	37,5	29,5	M10	70
100	70	170	7400	50	43	34	M10	70
100	75	170	8900	50	43	34	M10	70
100	80	170	10400	50	43	34	M10	70
110	80	186	12500	57	49	39	M12	121
110	85	186	14500	57	49	39	M12	121
110	90	186	16800	57	49	39	M12	121
125	90	215	15800	60,5	52,5	41,5	M12	121
125	95	215	18000	60,5	52,5	41,5	M12	121
125	100	215	20500	60,5	52,5	41,5	M12	121

- Special sizes available on request
- also available in stainless steel

Shrink disc WSR 270

Hollow Shaft	Shaft	Outer	Torque	Dimensions (mm)			Surface Pressure	Clamp Screw		
				L1	L2	L3		Shaft	S	TA
Ød (mm)	Ød1 (mm)	ØD (mm)	T _{KH} (Nm)				P _w (N/mm ²)	Quantity	S Screw DIN EN ISO 4762	(Nm)
80	60	145	3180	39	33	25	260	7	M8	30
80	65	145	3900	39	33	25	260	7	M8	30
80	70	145	4600	39	33	25	260	7	M8	30
85	60	155	4300	48	42	30	290	10	M8	30
85	65	155	5480	48	42	30	290	10	M8	30
85	70	155	6150	48	42	30	290	10	M8	30
90	65	155	4760	46	40	30	270	10	M8	30
90	70	155	6000	46	40	30	270	10	M8	30
90	75	155	7260	46	40	30	270	10	M8	30
95	65	170	5380	53	47	33,5	280	12	M8	30
95	70	170	6750	53	47	33,5	280	12	M8	30
95	75	170	8200	53	47	33,5	280	12	M8	30
100	70	170	6900	50	44	33,5	260	12	M8	30
100	75	170	7500	50	44	33,5	260	12	M8	30
100	80	170	9000	50	44	33,5	260	12	M8	30
110	75	185	7150	57	50	39	235	9	M10	59
110	80	185	9000	57	50	39	235	9	M10	59
110	85	185	10600	57	50	39	235	9	M10	59
115	80	185	9200	61	54	41,5	250	10	M10	59
115	90	185	12600	61	54	41,5	250	10	M10	59
115	95	185	15000	61	54	41,5	250	10	M10	59
125	85	215	11000	61	54	41,5	265	12	M10	59
125	90	215	13000	61	54	41,5	265	12	M10	59
125	95	215	15000	61	54	41,5	265	12	M10	59
135	90	212	16400	85	77	60	245	12	M12	100
135	95	212	19400	85	77	60	245	12	M12	100
135	100	212	21500	85	77	60	245	12	M12	100
140	95	230	14900	68	60,5	46	262	10	M12	100
140	100	230	17500	68	60,5	46	262	10	M12	100
140	105	230	19900	68	60,5	46	262	10	M12	100
155	105	265	22000	72	64,5	50	261	12	M12	100
155	110	265	25000	72	64,5	50	261	12	M12	100
155	115	265	28000	72	64,5	50	261	12	M12	100
165	115	290	31000	81	71	56	276	8	M16	250
165	120	290	35000	81	71	56	276	8	M16	250
165	125	290	38600	81	71	56	276	8	M16	250
175	125	300	36000	81	71	56	261	8	M16	250
175	130	300	41000	81	71	56	261	8	M16	250
175	135	300	45000	81	71	56	261	8	M16	250
185	135	330	51800	96	86	71	243	10	M16	250
185	140	330	57000	96	86	71	243	10	M16	250
185	145	330	62000	96	86	71	243	10	M16	250
195	140	350	65000	96	86	71	277	12	M16	250
195	150	350	67000	96	86	71	277	12	M16	250
195	155	350	81800	96	86	71	277	12	M16	250
200	150	350	74000	96	86	71	271	12	M16	250
200	155	350	80000	96	86	71	271	12	M16	250
200	160	350	85500	96	86	71	271	12	M16	250

- Special sizes available on request
- also available in stainless steel



Tehran Ahmad Abad Mostofi, Golgun Industrial Town, 6th Street, No. 4
 info.metalpart@gmail.com
 www.metalpart.ir

آدرس : تهران احمد اباد مستوفی شهرک صنعتی گلگون خیابان ششم پلاک ۴
 تلفن تماس : ۰۲۱۴۴۰۳۶۷۲۸ - ۰۹۱۲۲۲۶۲۳۶۶
 ایمیل: info.metalpart@gmail.com
 www.metalpart.ir



Tel: +98-21-44036728

Green id Co. +98-21-44036728



Cell phone: +98-912-2262366
Tehrān Ahmād Abād Mostofā, Golgun Industrial
Town, 6th Street, No. 4



Email: Info@MetalPart.ir
Info.MetalPart@Gmail.com

WWW.METALPART.IR

Copyright © 2021 METAL PART CO. ALL RIGHTS RESERVED. Greenid is a (registered) trademark of Greenid. This brochure makes no offers, representations or warranties (express or implied), and information and data contained in this brochure are for general reference only and may change at any time.

